

### Light Rail Air Compressor VFD

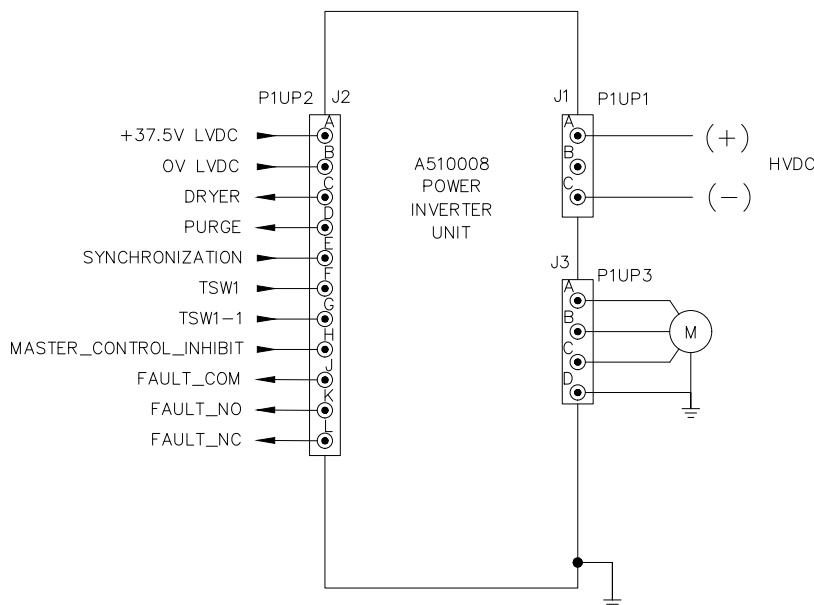
**Air Cooled 650VDC | 9kVA | VFD**

#### Applications

- Light Rail

#### Features

- Controls an induction motor that operates an air compressor used in the air supply unit (ASU) of a light rail vehicle. The ASU supplies air to sub-systems such as friction brakes and car doors.
- Energy efficient V/f soft start of induction motors using PWM technology
- 37.5 VDC digital output signals control Purge Valve and Air Dryer
- Programmable Purge Cycle Scheduling using Real Time Clock to regularly dissipate moisture from the compressor and control of dryer signal used to enable an air dryer.
- Programmable motor and inverter parameters via Handheld Programmer
- Fault Log with date and time stamp
- LED Status Indicator
- Automatic start and lockout features
- Broadcasting of inverter telemetry via CAN



#### Dimensions

Height	546mm (20.75")
Width	396mm (15.6")
Depth*	255mm (12.4")
Weight	27.2kg (60 lbs)
*Includes heatsink, not shown	

**\*\*Contact Sales Rep for additional voltages.**

#### Electrical Specifications

	Input	Output
Rated Power @ Rated Volts	9.1kW @ 650V	8.6kVA @ 380V
Frequency Range	DC	0 - 60 Hz
Voltage Range	500 - 800V**	(0 - 0.7) x V input
Amps @ Rated Power	14A	13A
Ambient [Operating] Temperature Range	-29 [-29]°C to 40 [50]°C	
Control Supply Voltage	37.5VDC	
Control Supply Current	1A (max)	

