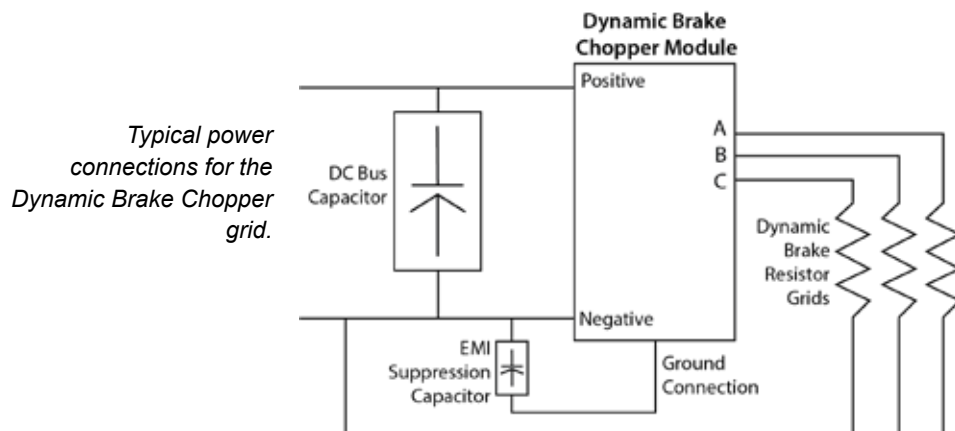


Dynamic Brake Chopper Modules

Features

The brake module is a power converter designed to operate over a DC bus. Voltage ranges vary depending on brake module. It is a component of a power conversion system consisting of several modules sharing a common DC bus filter capacitor.

- The **A300635 Dynamic Brake Chopper** operates over a voltage range of 500V to 800V DC and is used to control the delivery of power to the dynamic brake resistors. The resistor currents are controlled so as to limit the voltage rise of the DC bus when power is being absorbed from the traction motors.
- The **A300826 Brake Chopper** can be stacked (two brake choppers and one capacitor bank) in an assembly rack and is used to limit bus voltage to 800V within a vehicle. One module will act as the leader and the other as a follower.
- The **A310107 Brake Chopper** module operates over a voltage range of 500V to 1200V DC.



ATS Part # Various

Applications

- Light Rail
- Streetcar
- Monorail



Modules are liquid-cooled using cooling hoses and manifolds.

Specifications for the Dynamic Brake Chopper

Part Number	Dynamic Brake Chopper		Stackable Brake Chopper		Dynamic Brake Chopper	
	A300635		A300826		A310107	
	Input	Output	Input	Output	Input	Output
Rated Power @Rated Volts	1500kW	1495kW	750kW @750V	746kW		
Frequency Range	DC	DC	DC	DC		
Voltage Range**	600 - 750V	0 - Input	600 - 750V	0 - Input		
Amps @ Rated Power	2000A	2 x 1000A	1000A	3 x 333A		
Ambient Operating Temperature Range	-20°C to 60°C		-20°C to 50°C		-20°C to 60°C	
Coolant Temperature Range	-40°C to 70°C		-40°C to 70°C		-40°C to 70°C	
Control Supply Voltage	22 to 28V DC		22 to 28V DC		22 to 28V DC	
Control Supply Current	1.5A DC		1.5A DC		1.5A DC	
Minimum Coolant Flow	3 gal/min (11.25 l/min)		3 gal/min (11.25 l/min)		3 gal/min (11.25 l/min)	
Maximum Coolant Pressure	50 psig (3.5 bar)		50 psig (3.5 bar)		50 psig (3.5 bar)	

****Other voltages are available. Contact ATS representative for more information.**

Typical Module Dimensions

Height	864mm (34")
Width	127mm (5")
Depth	447mm (17.6")
Weight	46.7kg (103 lbs)



ATS Control Card Assembly

