

DC to AC VFD - Mini-VFD Inverter for Traction Motor Blowers 750VDC to 480VAC, 3HP Blower System

Features

For blowers, compressors, evaporators, and air handlers

- Designed as a drop in replacement for DC motors operating off the third rail or catenary
- Operates AC induction motors from DC line voltage
- Operating range of 450VDC to 900VDC
- Reverse polarity protection
- IP-67 rated
- In case of power loss, Auto Restart with automatic Motor Speed Search for uninterrupted operation
- Uses electronic motor thermal overload protection

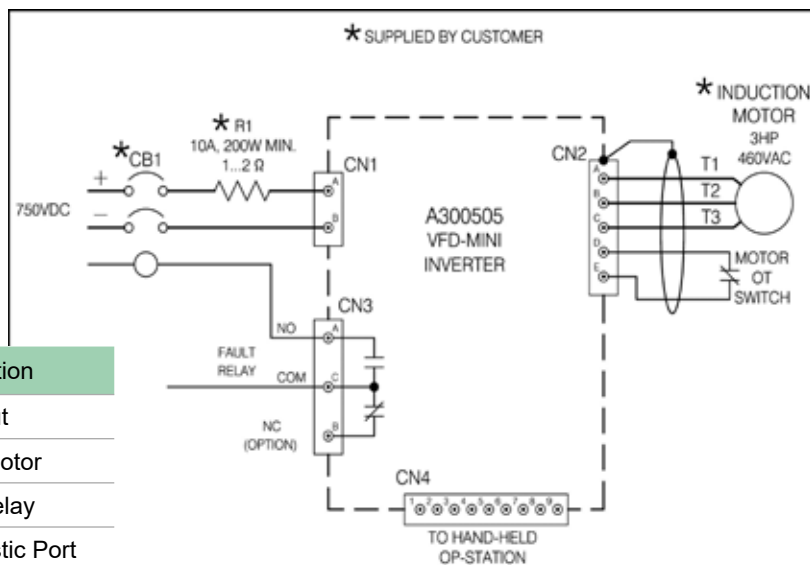


Applications

- Blowers
- Compressors
- Evaporators
- Air Handlers



Example of Mini-VFD attached to blower motor



Input	Description
CN1	DC Input
CN2	AC to Motor
CN3	Fault Relay
CN4	Diagnostic Port

Description	Specification
Power	
Input Voltage	750VDC or 450VDC to 900VDC Contact factory for other ranges
Output Current	15A RMS Continuous (with 2.5m/s airflow) 9A RMS Continuous without airflow
Output Frequency	0 - 125Hz
Control I/O	
Reverse Polarity	Software and hardware detection
Power Loss	Auto restart with automatic motor speed search to continue operation.
Load Short Circuit	Current Control Overload Trip IGBT Over Current Protection
Thermal Protection	Heat Sink Over-temperature Alarm at 75°C Shutdown at 80°C
Motor Overload	Electronic Time trip
Overcurrent Protection	Programmable



Baltimore Metro blower



AMPS locomotive blowers

Dimensions

Height	102mm (4")
Width	356mm (14")
Depth	229mm (9")

