

## PML-7-900 Inverter

700V Class

900A peak current

Permanent Magnet

Liquid Cooled

300kVA (600kVA peak)



### Features

- Permanent magnet brushless DC motor controller
- Suitable for Propulsion or Generator applications
- Liquid-cooled power components (IGBT and DC Bus Capacitors)
- Resolver or Encoder feedback
- CAN-bus Control and Diagnostic
- IP67 rated cast aluminum enclosure
- Electronic Motor Overload Protection
- Also available for Induction Motor systems
- Automotive grade deutsch control connectors
- Compatible with Remy HVH 250 and 410 motors

### Specifications

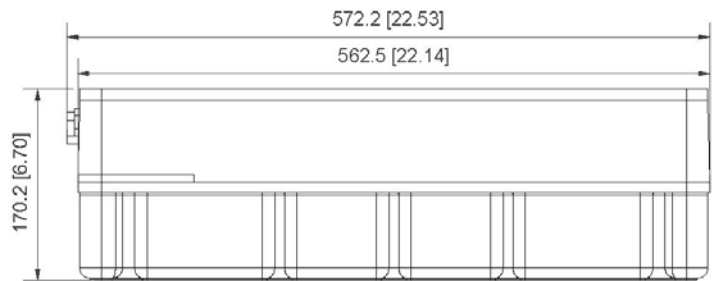
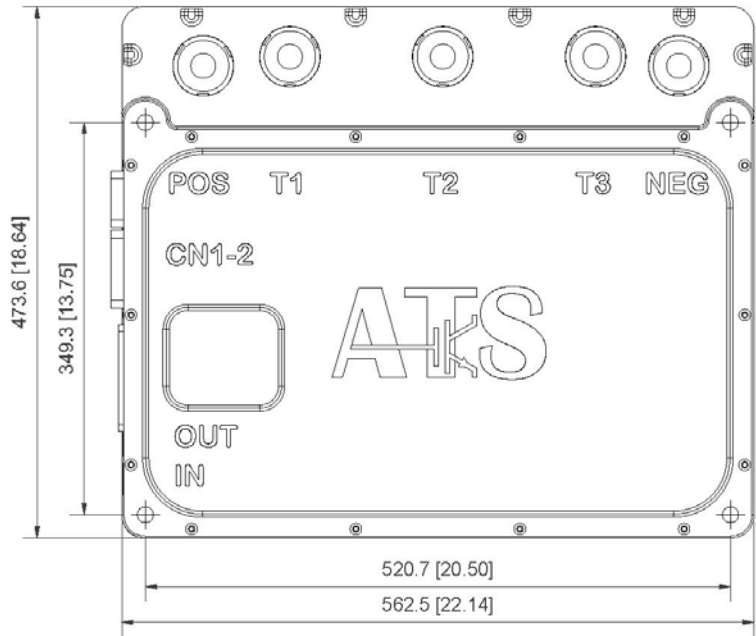
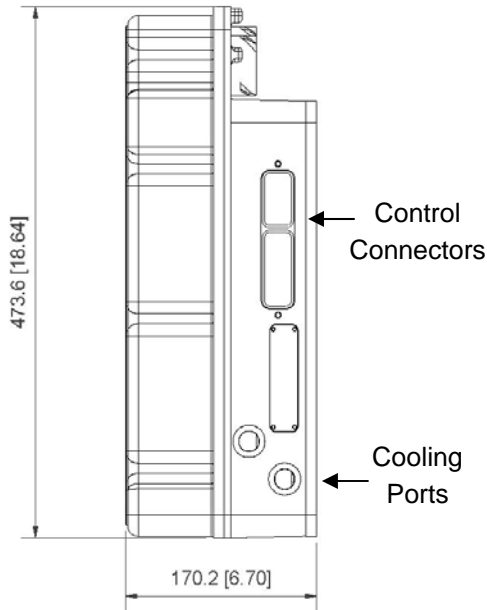
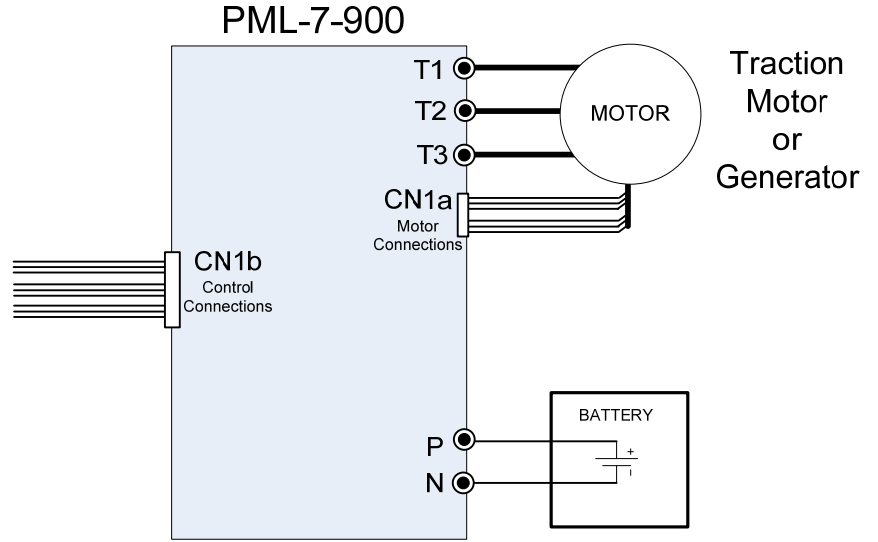
Description	Specification		
<b>Electrical</b>			
Input Voltage	Minimum 200VDC	Nominal 700VDC	Maximum 900VDC
Output Power (@700VDC)		Continuous 300kVA	Peak (30 sec) 600kVA *
Output Current (rms) (@700VDC)		Continuous 450A	Peak (30 sec) 900A *
Control Power	24VDC (18V—36V) @4A Maximum		
<b>Mechanical</b>			
Size	22.5" w (572mm) x 18.6" h (472mm) x 6.7" d (170mm)		
Weight	105 lbs (48kg)		
Operating temperature	-20°C to 100°C		
Cooling	60°C @ 20L/min 50-50WEG		

\* Peak values require de-rating for fundamental frequencies above 400Hz. Contact ATS for more information

3 May 2013

# PML-7-900 Inverter

**Permanent Magnet**  
**Liquid Cooled**  
**700V Class**  
**900A peak current**



Weight: 105lb (48kg)